

A-TRAC Indicator Light Remains ON

DESCRIPTION

This is the A-TRAC main switch circuit. When the A-TRAC switch is pushed on, the A-TRAC function is available and the A-TRAC indicator light illuminates.

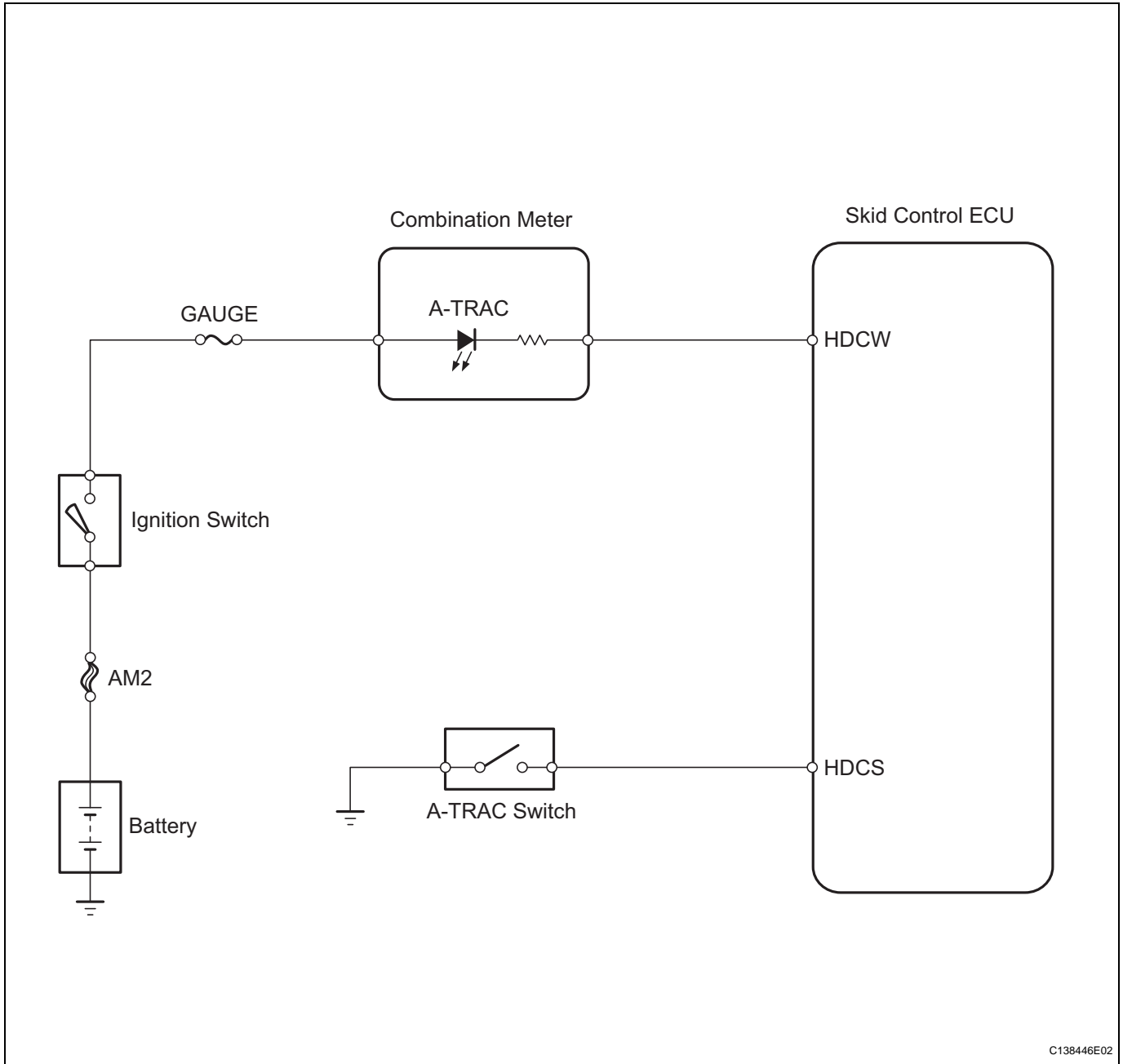
HINT:

The A-TRAC does not operate even if the A-TRAC switch is pressed under the following conditions:

- TRAC or VSC system is faulty.
- Temperature inside the hydraulic brake booster increases and the A-TRAC operation is suspended.

BC

WIRING DIAGRAM



INSPECTION PROCEDURE

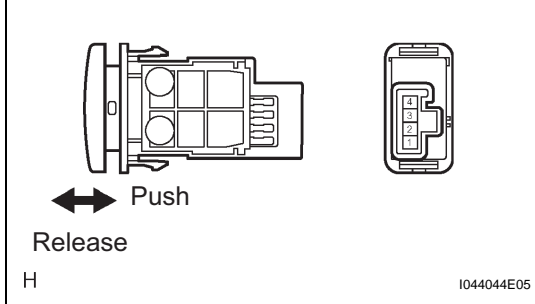
NOTICE:

When replacing the master cylinder solenoid, perform zero point calibration (See page [BC-24](#)).

BC

1 INSPECT A-TRAC SWITCH

A-TRAC Switch:



- (a) Remove the A-TRAC switch.
- (b) Disconnect the A-TRAC switch connector.
- (c) Measure the resistance.

Standard resistance

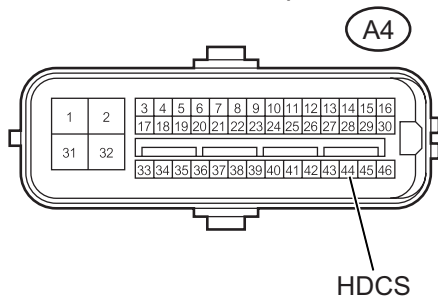
Tester Connection	Switch Condition	Specified Condition
3 - 4	Released	10 kΩ or higher
3 - 4	Pushed in	Below 1 Ω

NG → **REPLACE A-TRAC SWITCH**

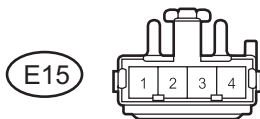
OK

2 CHECK HARNESS AND CONNECTOR (SKID CONTROL ECU - A-TRACK SWITCH)

Skid Control ECU
(harness side connector):



A-TRAC Switch
(harness side connector):



C139128E01

- (a) Disconnect the skid control ECU connector.
- (b) Disconnect the A-TRAC connector.
- (c) Measure the resistance.

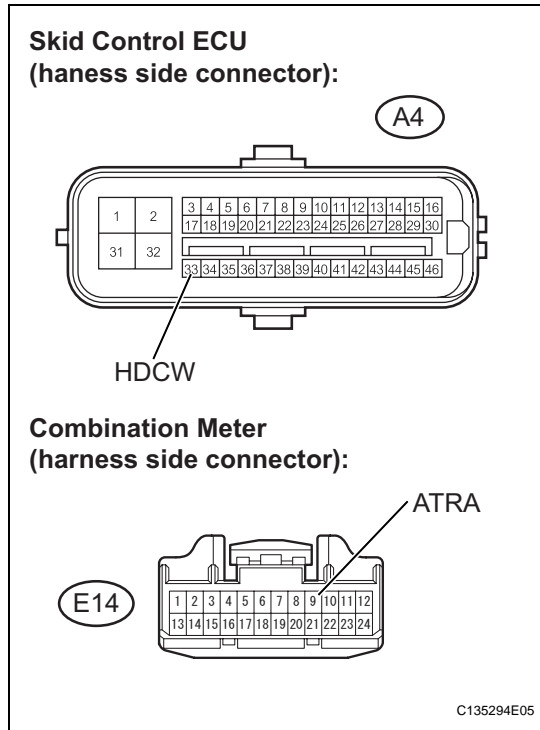
Standard resistance

Tester Connection	Specified Condition
A4-44 (HDCS) - E15-4	Below 1 Ω
A4-44 (HDCS) - Body ground	10 kΩ or higher
E15-4 - Body ground	Below 1 Ω

NG → **REPAIR OR REPLACE HARNESS OR CONNECTOR**

OK

3 CHECK HARNESS AND CONNECTOR (SKID CONTROL ECU - COMBINATION METER)



- (a) Disconnect the skid control ECU connector.
 - (b) Disconnect the combination meter connector.
 - (c) Measure the resistance.
- Standard resistance**

Tester Connection	Specified Condition
A4-33 (HDCW) - E14-9	Below 1 Ω
A4-33 (HDCW) - Body ground	10 kΩ or higher

NG → **REPAIR OR REPLACE HARNESS OR CONNECTOR**

OK

4 INSPECT COMBINATION METER ASSEMBLY

- (a) Check the combination meter system (See page [ME-29](#)).
- OK:**
Combination meter is normal.

NG → **REPLACE COMBINATION METER ASSEMBLY**

OK

REPLACE MASTER CYLINDER SOLENOID